

Features

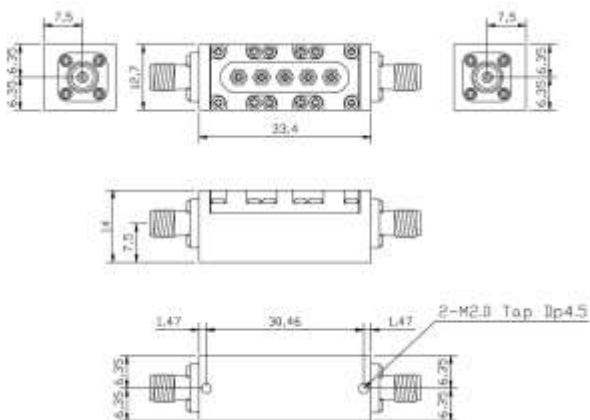
- Cavity Band Pass Filter (8,400 MHz ~ 8,500 MHz)
- Very compact size and low weight
- Typical 0.9 dB Insertion Loss



Specifications

Parameter	Specifications	Remarks
Frequency Range	8,400 ~ 8,500 MHz	BW : 100 MHz
Center Frequency	8,450 MHz	
Insertion Loss (Max.)	1.2 dB	
Pass Band Ripple (Max.)	0.5 dB	
VSWR (Max.)	1.5 : 1	
Rejection (Min.)	60 dBc @ 7,450 MHz	
In/ Out Impedance	50 Ω	
Handling Power (Max.)	CW 2 W	
Operation Temperature Range	-40 °C ~ +85 °C	
Dimensions	33.4 * 12.7 * 14 mm	Exclude Connectors
Connector	SMA (Female)	

Outline drawing



Typical Response

